



Installation instruction



This unique designer shower extractor fan is designed to be installed above your shower, wet room or bath tub.

This shower fan is available in three size options, depending on the size of shower cubicle you choose. It is supplied with LED lighting, remote control and is available in all white, Black or stainless steel finishes.

Guaranteed to take away all the steam vapors that so often cause mold and mildew problems in and around the shower areas.

WARNING

This appliance must be installed by a qualified electrician, the electrical connections must be in compliance with all safety regulations when installing electrics in your bathroom for further information please see this website <http://www.esc.org.uk/public/safety-in-the-home/bathroom-safety/>

Zone 1 and Zone 2

There are only two types of fan which may be installed in Zones 1 and 2. They are:

Luxair Ceiling Bathroom fans (Safety Extra Low Voltage). Also known as 12v fans or Shower fans, they require a transformer, (housed in zone 3 or outside the zones) to reduce the mains voltage (240v) to 12v. the transformer is supplied with the fan.

Any fan, regardless of voltage, that has an IP45 rated motor. 'IP' means 'Ingress Protected and a rating of IP45 signifies that the motor, and indeed all electrical parts, are 'resistant to jets of water from all angle's

All Luxair fans are rated for zones 1 and 2, by default, may also be installed in zone 3.

ALL electrical works must be carried out by a fully qualified, professional electrician.

Zone 3 and Outside the Zones

Any extractor fan, regardless of voltage or IP rating may be installed here as these areas are deemed a safe distance from the principle sources of water, the bath and shower.

Inline ceiling fans are another type of extractor fan which are installed in the loft space above the bathroom. A length of Ducting connects the fan to the bathroom. Since the fan itself is housed remotely, outside of the zonal area, with only a plastic grille in the bathroom ceiling, they too are suitable for extracting from any bathroom zone.

ALL electrical works must be carried out by a fully qualified, professional electrician.

2. Switching and Operation Options

All Luxair bathroom fans maybe wired into the lighting circuit, so that they turn on and off with your lights, or a separate remote switch, allowing them to be operated independently. Further to that, extractor fans have a range of extra switching options which suit different applications and requirements. Many fans are available in three versions - Basic, Timer and Humidistat, but some ranges also have pull cord and PIR versions.

Cabair models are operated by the switch unit on the front of the unit

Timer models feature a timer which keeps the fan running for a set period after the light or remote switch is turned off. This ensures all steam has been extracted from the bathroom.

ShowAir ceiling bathroom fans can be wired independently to a switch or remote control operated as standard

LavAir bathroom fans are operated with a touch sensitive switch unit with timer cut off

Carafans are operated the same way as the LavAir

3. Size and Air Extraction Rate

Luxair bathroom extractor fans come 125mm ducting outlet and can be reduced to 4" 100mm if required, it's always best to install your new designer Luxair fan on 125mm ducting if possible, this will increase the life and performance of you fan.

Measured in 'Litres per Second (L/s) or 'Metres Cubed per Hour' (m3/hr), the air extraction rate of Luxair bathroom extractor fans is one of the most important considerations. The Building Regulations stipulate that a bathroom extractor fan must

Extract at least 15L/s in a standard domestic bathroom. Most 4 inch bathroom extractor fans far exceed this minimum requirement, and nowadays the standard is 85m3/hr. Any bathroom extractor fan with an extraction rate of 90m3/hr or above may be considered powerful. All Luxair Bathroom Fans extract at 480m3/hr and are the most powerful bathroom extractor on the world market

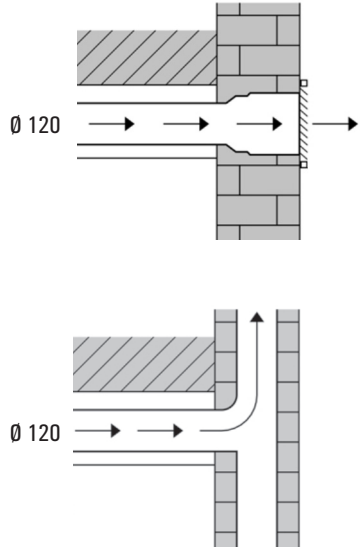
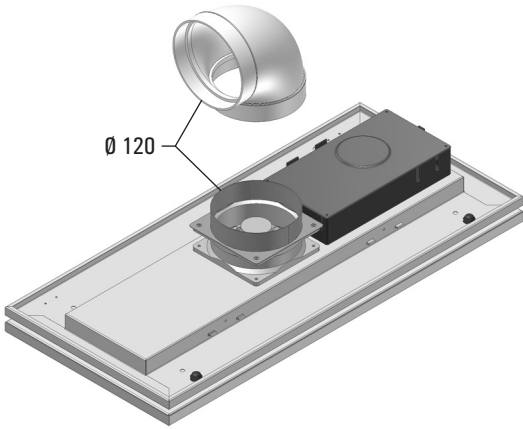
4. Comfort - Noise and Aesthetics

Noise

Typical dB measurements for bathroom fans range between 35dB(A) and 45dB(A) with the more powerful centrifugal bathroom fans between 40dB (A) and 55dB(A). In recent years however the trend has moved towards quieter fans and now fans, Luxair have devolved a new German made motor that is by far the quietest bathroom fan to date at 38.28 db.

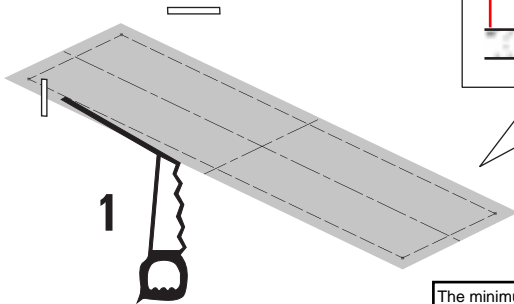
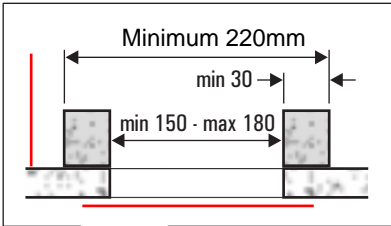
Aesthetics

Designer bathroom fans are only available from Luxair, we have taken away those ugly, noisy dysfunctional 4" fans, that don't really do a thing other than annoy you! and replaced the old with the new, four new designer bathroom fans made specifically for the use you intended, removing smells and vapours "guaranteed"



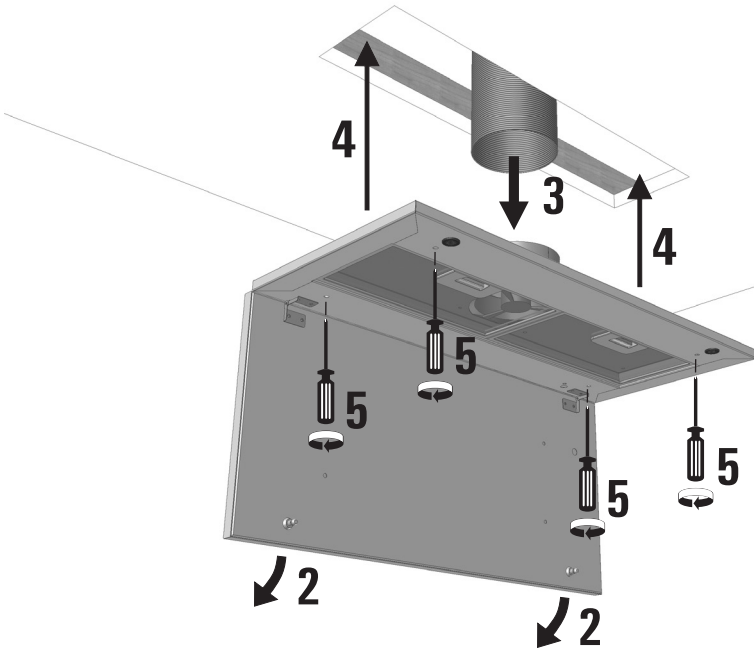
M 1

WARNING:
 Always check your measurements before you make any cut outs.
 Luxair cannot be held responsible for incorrect cut outs or poor installation.



The minimum gap between your ceiling joist is 150mm.
 The minimum height between your ceiling joist space is 200mm to allow for ducting connection.
 This ceiling extractor must be ducted to the outside using 120mm ducting, can be reduced to 100mm using a reducer collar as an optional extra.

M 2

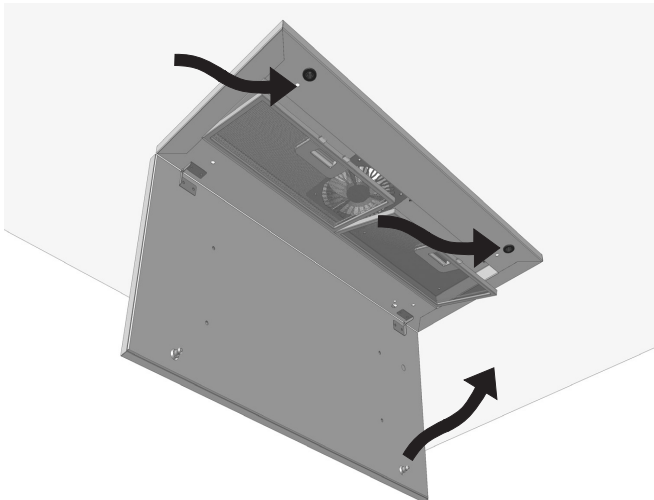


M 3

After cutting out your ceiling make sure the four fixing screw positions are lined to the center of your ceiling joists. make good the fixings using a minimum 2.5 inch screws with washers.

if you are fixing the extractor with access in your loft space connect the ducting after fixing your extractor to the ceiling.

If you are fixing the extractor between floor joists connect the ducting prior to fixing the extractor to your ceiling.



M 4

After making good your fixings, now replace the metal dust and fluff filters, (please note these filters will need cleaning every 2-3 months, place them in your dishwasher for intense cleaning, ever use abrasive material on these filters!

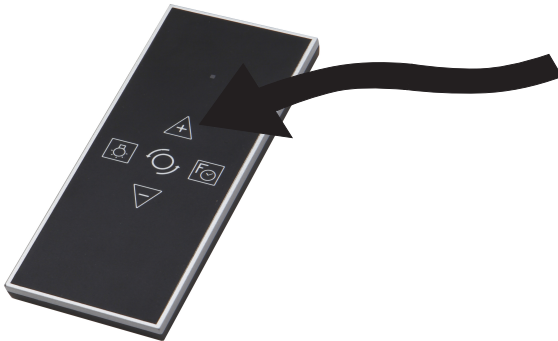
Now push the drop down panel back into the rubber grommets to secure the unit.

Setting Your Remote Control!



1. Turn Off The Power Completely to your ceiling extractor
2. Press and hold the + button on your remote continually pointing it at you extractor.
3. whilst keeping your finger on the + button now turn the power back on to your fan, (keep the + pressed all the time) you will hear a BEEP to confirm the unit has accepted the code.
4. Your fan should now be working with your new remote.

Repeat the above steps if you did not hear the beep!



Press and hold until your hear the BEEP!



Warranty Activation

www.luxairbathroomfans.com

Two Year Parts and Labour Warranty - Your product must be registered with Luxair within 21 days of installation either , or by mail. A 12 month parts and labour warranty is standard without product registration but proof of purchase may be required. Please note the 2 years warranty does not apply to end-of-line stock as these products are only sold with a 1 years manufacturers warranty.